

Specification for Standard Product offering of: 1/2 Inch Bi-Metal, Snap Action Thermostats / Switches

36T21 / SAS-XXX B – Normally Closed
36T22 / SAS-XXX A – Normally Open

Therm-O-Disc® Snap-Action Thermostats:

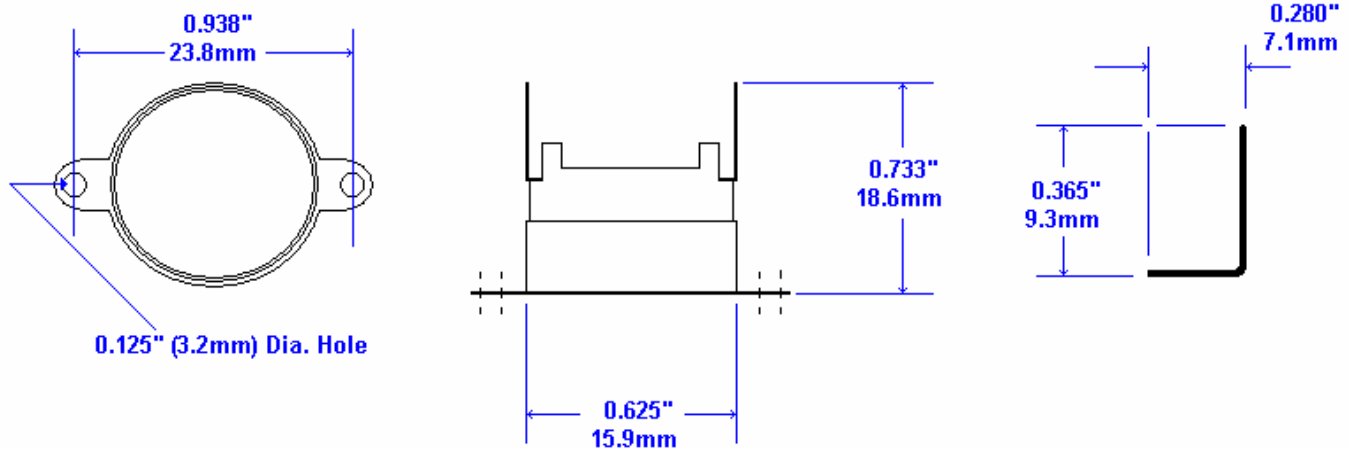
The 36T series or 1/2" bimetal thermostats from Therm-O-Disc® offers proven reliability in a compact, versatile, cost-effective design. The snap action of the bimetal disc provides high-speed contact separation resulting in excellent life cycle characteristics at electrical loads up to 15 amps at 120VAC and 10 amps at 240VAC. A wide variety of terminal and mounting configurations are available for maximum design flexibility. The quality, reliability, affordability, versatility and world-wide agency approvals of the 36T Series makes it the snap-action thermostat of choice for a wide variety of temperature control applications.

This spec sheet was created to showcase the standard 36T part numbers that Atlantic Components stocks.

Don't see what you are looking for? Call us to discuss the exact switch for your application.



SURFACE MOUNT BRACKET CONFIGURATION



CONTACT ARRANGEMENT	36T21 #XXXXX or SAS XXX B	SPST Form B (Normally Closed)		
	36T22 #XXXXX or SAS XXX A	SPST Form A (Normally Open)		
CONTACT RATING – AC	Resistive Inductive	Watts – 2400 Maximum A.C.		
		Volt Amps – 125 V.A. maximum A.C.		
CONTACT RATING – DC		Volts Amps – 30 V.A. maximum DC		
VOLTAGE		Volts A.C. - 240 VAC maximum		
CURRENT – RESISTIVE LOAD		Carry – 10A @ 240 VAC / 15A @ 120 VAC		
TOLERANCE	Temp	Open Temp Tolerance	Close Temp Tolerance	
	0-145C	+/-5C or +/-9F	+/-5C or +/-9F	
	150-175C	+/-5.5C or +/-10F	+/-9C or +/-16F	
RESET DIFFERENTIAL		15° C		
UL Information:	Guide XAPX2, File 19279	CSA Information:	File LR77886 / LR109556	

KEYS TO ORDERING:

Simplified / Atlantic Components Part Number:

1/2" Bi-Metal / Snap Action Switch, SMT, Auto Reset	Temperature	Form
SAS	Express desired actuation temp in Degrees Celsius (2 or 3 digits)	A = N/O close on temp rise Or B =N/C open on temp rise
<i>All SAS Models: surface mount mounting bracket, Auto Reset, Terminals offset 180° from mounting holes, and terminals are bent 90 Degrees.</i>	<i>Standards are stocked in temperatures from 0 – 175 °C in 5° increments</i>	<i>Specify A or B</i>
Part Number Example:		
SAS	50	B

Thermodisc Part Number:

1/2" Bi-Metal / Snap Action Switch, SMT, Auto Reset	Style Number
36T22 (Normally Open, Close on Rise) or 36T21 (Normally Closed, Open on Rise)	Style numbers are sequential, and assigned by Thermodisc. On standard models, the style numbers call out the actuation & reset temperatures. See the attached list for details on standard style numbers.
Part Number Example:	
36T21	# 11785

Typical Applications:

The 36T is applied to a wide variety of applications as either a regulating control or a safety limit. Examples of applications include:

- HVAC
- Defense / Security Systems
- Medical
- Dryers
- Process Control Equipment
- Semiconductor Fab Equipment
- Lighting / Specialty Lighting
- Wood / Gas Stove Controls
- Elevator/Escalator/People Mover
- Industrial Equipment
- Water Heaters
- Sterilization Equipment
- Pumps / Motor Protection
- Electric Heaters
- Office Equipment
- Welding/Plasma Cutting Equipment
- Commercial Cooking Equipment
- Mfg Process Heating & cooling equipment
- Vacuum Systems
- Alternative Power

Additional Specifications:

- Each SAS part number has a corresponding Thermodisc part number, but NOT all Thermodisc part numbers have a corresponding SAS part number.
- The SAS part numbers are offered as in-stock, standard offerings, but do NOT represent the complete product line offered by Thermodisc.
- Many other styles, configurations and options are available in the 36T series. The full product Specifications and specifications on non-standards can be found in the Thermodisc 36T Product Catalog. There is a link to the Thermodisc 36T Product Catalog on the AtCom Homepage.
- Most switches that are NOT listed on the following two pages carry a 1,000 piece minimum order, and are all Non-Cancelable, and Non-Returnable.
- **Information on Samples, Pricing, and Delivery is available by dialing 800-433-6600 or 781-933-9966 and speaking to and inside salesperson at Atlantic Components.**

36T21 / SAS-XXXB - Normal Closed, Open on Temperature Rise:

Part#	36T21 # style # ↓	Open °C (+/- 5°C)	Open °F (+/- 9°F)	Close °C (+/- 5°C)	Close °F (+/- 9°F)
SAS-00B	11894	0	(32)	-15	(5)
SAS-05B	11776	5	(41)	-10	(14)
SAS-10B	11777	10	(50)	-5	(23)
SAS-15B	11778	15	(59)	0	(32)
SAS-20B	11779	20	(68)	5	(41)
SAS-25B	11780	25	(77)	10	(50)
SAS-30B	11781	30	(86)	15	(59)
SAS-35B	11782	35	(95)	20	(68)
SAS-40B	11783	40	(104)	25	(77)
SAS-45B	11784	45	(113)	30	(86)
SAS-50B	11785	50	(122)	35	(95)
SAS-55B	11786	55	(131)	40	(104)
SAS-60B	11787	60	(140)	45	(113)
SAS-65B	11788	65	(149)	50	(122)
SAS-70B	11789	70	(158)	55	(131)
SAS-75B	11790	75	(167)	60	(140)
SAS-80B	11791	80	(176)	65	(149)
SAS-85B	11792	85	(185)	70	(158)
SAS-90B	11793	90	(194)	75	(167)
SAS-95B	11794	95	(203)	80	(176)
SAS-100B	11795	100	(212)	85	(185)
SAS-105B	11796	105	(221)	90	(194)
SAS-110B	11797	110	(230)	95	(203)
SAS-115B	11798	115	(239)	100	(212)
SAS-120B	11799	120	(248)	105	(221)
SAS-125B	11800	125	(257)	110	(230)
SAS-130B	11801	130	(266)	115	(239)
SAS-135B	11802	135	(175)	120	(248)
SAS-140B	11803	140	(284)	125	(257)
SAS-145B	11804	145	(293)	130	(266)

Part#	36T21 # style # ↓	Open °C (+/- 5.5°C)	Open °F (+/- 10°F)	Close °C (+/- 9°C)	Close °F (+/- 16°F)
SAS-150B	22281	150	(302)	115	(239)
SAS-155B	22282	155	(311)	120	(248)
SAS-160B	22283	160	(320)	125	(257)
SAS-165B	22284	165	(329)	130	(266)
SAS-170B	22285	170	(338)	135	(275)
SAS-175B	22286	175	(347)	140	(284)

36T22 / SAS-XXXA - Normal Open, Close on Temperature Rise:

Part#	36T22 # style # ↓	Close °C (+/- 5°C)	°F +/-9°F	Open °C (+/- 5°C)	°F +/-9°F
SAS-00A	11952	0	(32)	-15	(5)
SAS-05A	11811	5	(41)	-10	(14)
SAS-10A	11812	10	(50)	-5	(23)
SAS-15A	11813	15	(59)	0	(32)
SAS-20A	11814	20	(68)	5	(41)
SAS-25A	11815	25	(77)	10	(50)
SAS-30A	11816	30	(86)	15	(59)
SAS-35A	11817	35	(95)	20	(68)
SAS-40A	11818	40	(104)	25	(77)
SAS-45A	11819	45	(113)	30	(86)
SAS-50A	11820	50	(122)	35	(95)
SAS-55A	11821	55	(131)	40	(104)
SAS-60A	11822	60	(140)	45	(113)
SAS-65A	11823	65	(149)	50	(122)
SAS-70A	11824	70	(158)	55	(131)
SAS-75A	11825	75	(167)	60	(140)
SAS-80A	11826	80	(176)	65	(149)
SAS-85A	11827	85	(185)	70	(158)
SAS-90A	11828	90	(194)	75	(167)
SAS-95A	11829	95	(203)	80	(176)
SAS-100A	11830	100	(212)	85	(185)
SAS-105A	11831	105	(221)	90	(194)
SAS-110A	11832	110	(230)	95	(203)
SAS-115A	11833	115	(239)	100	(212)
SAS-120A	11834	120	(248)	105	(221)
SAS-125A	11835	125	(257)	110	(230)
SAS-130A	11836	130	(266)	115	(239)
SAS-135A	11837	135	(175)	120	(248)
SAS-140A	11838	140	(284)	125	(257)
SAS-145A	11839	145	(293)	130	(266)

Part#	36T22 # style # ↓	Close °C (+/- 9°C)	°F +/-16°F	Open °C (+/- 5.5°C)	°F +/-10°F
SAS-150A	22275	150	(302)	115	(239)
SAS-155A	22276	155	(311)	120	(248)
SAS-160A	22277	160	(320)	125	(257)
SAS-165A	22278	165	(329)	130	(266)
SAS-170A	22279	170	(338)	135	(275)
SAS-175A	22280	175	(347)	140	(284)